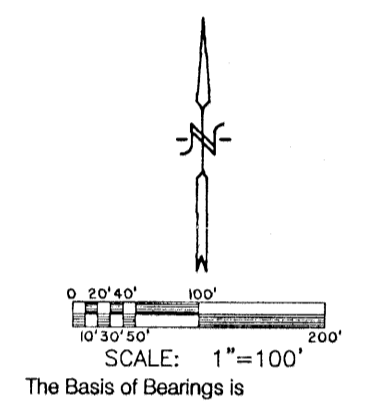


RESIDUAL
49.0491 ACRES
0.9633 ACRE IN R/W



- LEGEND:**
- 5/8" REBAR SET - CAP MARKED 'SPILKER'
 - IRON PIN FOUND - AS NOTED
 - 1" REBAR SET IN BOX

CURVE TABLE						
CURVE	LENGTH	RADIUS	CH. BRG.	CHORD	TANGENT	DELTA
C1	81.89	200.00	N80°50'56"E	81.31	41.52	23°27'31"
C2	176.64	350.00	S83°34'40"W	174.77	90.24	28°54'57"
C7	154.50	400.00	N09°48'54"W	153.54	78.22	22°07'49"
C9	39.27	25.00	S42°25'18"E	35.36	25.00	90°00'00"
C10	39.27	25.00	S47°34'42"W	35.36	25.00	90°00'00"
C11	52.90	220.00	N85°41'23"E	52.77	26.58	13°46'38"
C12	93.60	180.00	S84°01'02"W	92.55	47.89	29°47'41"
C13	37.98	25.00	S57°40'53"E	34.43	23.74	87°02'06"
C14	102.23	380.00	N06°27'25"W	101.92	51.43	15°24'50"
C15	23.18	25.00	N27°48'54"E	22.36	12.50	53°07'48"
C16	44.16	50.00	S29°04'45"W	42.74	23.64	50°36'06"
C17	78.77	50.00	S41°21'10"E	70.87	50.23	90°15'45"
C18	62.38	50.00	N57°46'23"E	58.41	35.99	71°29'09"
C19	64.50	50.00	N14°55'30"W	60.12	37.62	73°54'37"
C20	23.18	25.00	S25°18'54"E	22.36	12.50	53°07'48"
C21	21.80	420.00	N00°14'13"W	21.80	10.90	02°58'26"
C22	97.87	420.00	N08°23'59"W	97.65	49.16	13°21'05"
C23	36.74	25.00	S27°01'20"W	33.52	22.59	84°11'43"
C24	125.86	330.00	S80°01'42"W	124.90	63.60	21°49'02"
C25	49.89	330.00	N85°30'49"W	40.86	20.47	07°05'55"
C26	118.49	370.00	S78°17'38"W	117.98	59.76	18°20'55"
C27	68.24	370.00	N87°14'53"W	68.14	34.22	10°34'02"
C28	36.69	25.00	N39°55'03"W	33.49	22.55	84°05'37"
C38	41.85	25.00	S80°04'57"W	37.13	27.72	95°54'23"
C60	22.12	200.00	N89°24'36"E	22.11	11.07	6°20'11"
C61	19.91	180.00	N89°24'36"E	19.90	9.96	6°20'11"
C62	22.12	200.00	N84°15'13"W	22.11	11.07	6°20'11"

LINE TABLE		
LINE	LENGTH	BEARING
L1	6.24	N69°03'04"E
L23	48.18	S32°31'58"W
L24	48.25	S32°31'58"W
L25	145.86	S33°39'45"W
L26	88.46	S35°22'29"W
L27	81.56	S39°51'05"W
L28	60.56	S43°58'47"W
L29	70.67	S46°26'37"W
L30	321.02	S47°20'14"W
L31	90.42	S45°23'43"W
L32	92.49	S42°30'21"W
L33	87.52	S38°40'47"W
L34	86.94	S33°38'46"W
L35	85.01	S32°28'20"W
L36	87.01	S29°49'04"W
L37	84.19	S28°28'14"W
L38	84.85	S22°58'56"W
L39	284.67	S20°18'13"W
L40	256.57	S21°19'10"W
L41	78.64	N81°05'08"W
L42	78.64	N86°14'31"E